

**SPECIFICATION**

**A: MATERIAL:**

- 1.BODY: PC
- 2.TERMINAL: Cu PLATED Sn
- 3.PIN: Cu PLATED Ni
- 4.COVER: PC, COLOUR BLACK  $\Delta$

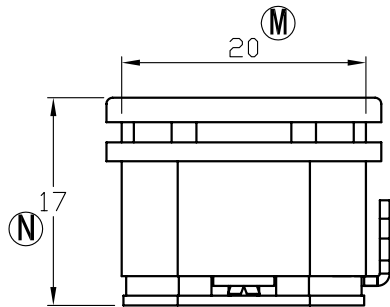
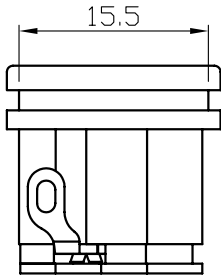
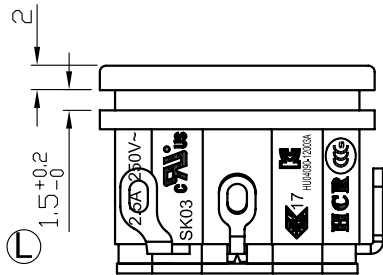
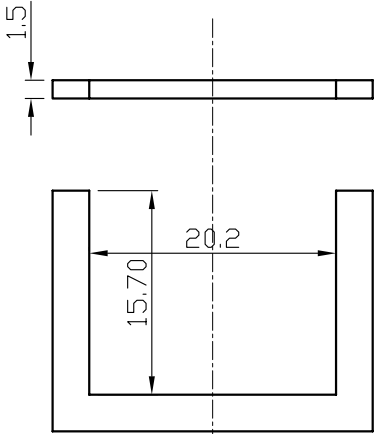
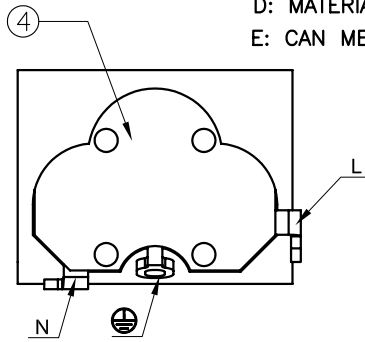
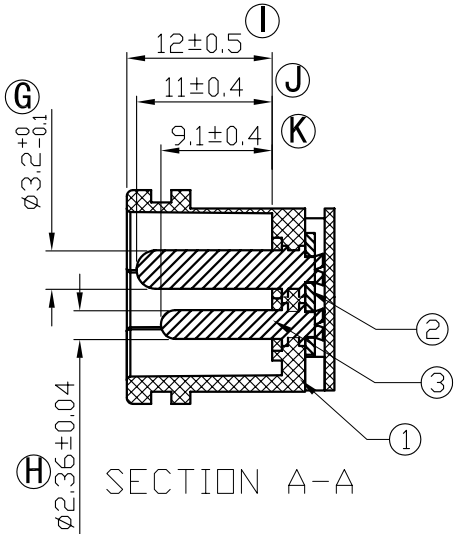
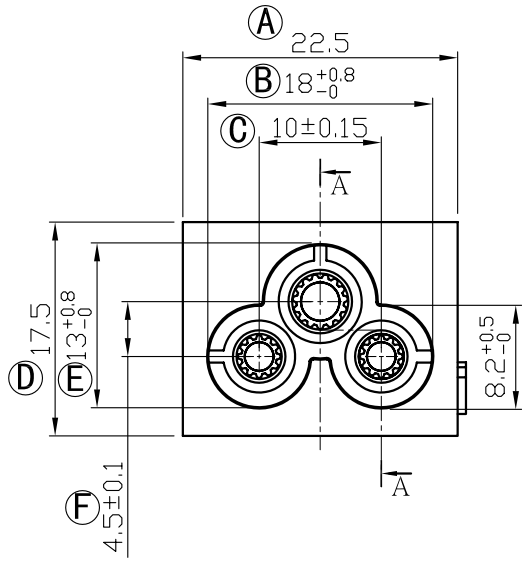
**B: CHARACTERISTICS:**

- 1.RATING: 2.5A 250V~(C-ULus, ENEC & CCC)
- 2.INSULATION RESISTANCE:100MΩ MIN,AT 500VDC
- 3.ELECTRIC STRENGTH : AC 3,000 V/1 MIN,LEAKAGE CURRENT UNDER 0.5mA

**C: APPROVALS: C-ULus, ENEC & CCC**

**D: MATERIAL USED MUST BE COMPLY WITH HQI-0010**

**E: CAN MEET ROHS,ROHS2.0,HF**



**PANEL CUT-OUT**

TOLERANCES UNLESS OTHERWISE 未指定容許差尺寸之公差	
BASIC DIMENSIONS TOLERANCES	
UP TO 10 (10以下)	±0.1
ABOVE 10 TO 30(10~30)	±0.3
ABOVE 30 TO 100(30~100)	±0.5
ANGULAR DIMENSIONS(角度)	±5°
DIMENSION UNIT	mm

東莞市華之力電子有限公司 DONGGUAN HCR ELECTRONICS CO., LTD.

2					核准 APPROVED BY	AaronJin	日期 DATE	20130531	投影法 PROJECT		機型 PART NAME	INLET SOCKET
1	2013/05/31	1.更改後蓋板顏色：白色透明改為黑色 2.更改產品料號	A1	LamPeng	校對 CHECKED BY	RZTang	日期 DATE	20130531	比例 SCALE	1:1	型號 PART NO	SK03
0	2013/04/08	1.新制訂	A0	ShiJieMei	繪圖 DRAWN BY	LamPeng	日期 DATE	20130531	路徑 DWG NO	E:\成品圖 SK03\830089	料號 ITEM NO	SK03-2101070323BH $\Delta$
NO	DATE	REVISION DESCRIPTION	REVISION	RDRAWN	APPROVED							